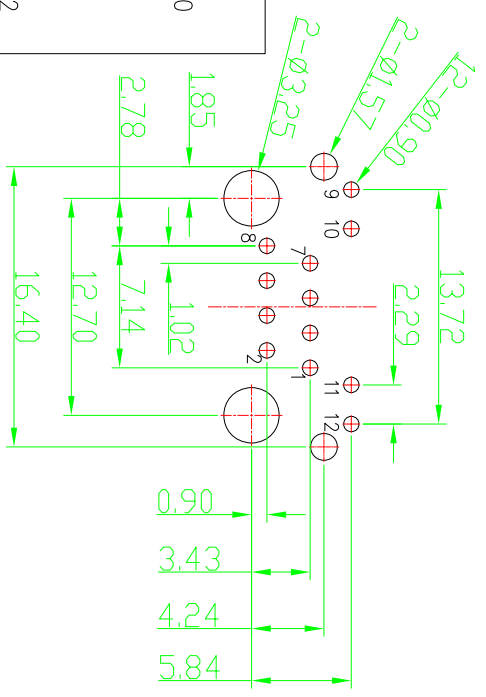
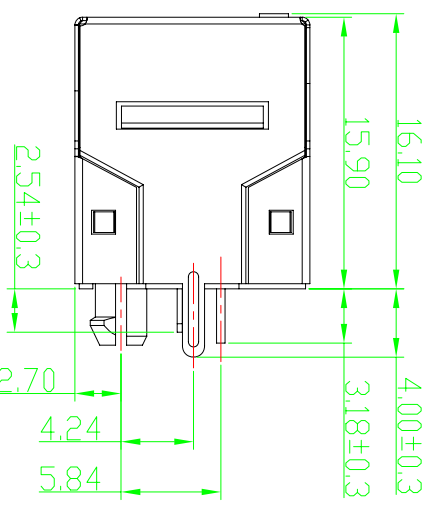
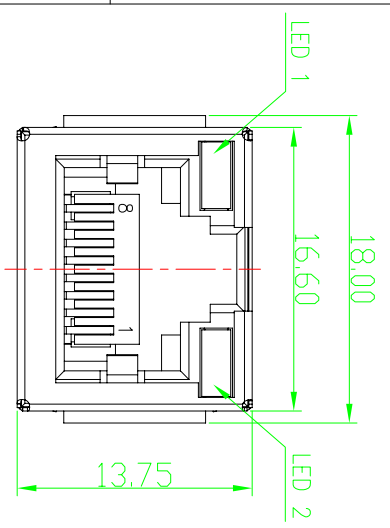


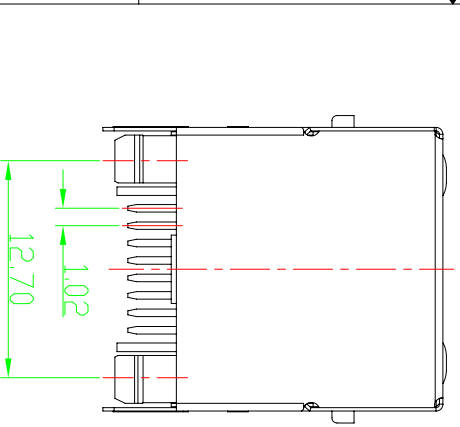
CATEGORY	DESCRIPTION	P/N #
CONNECTOR	RJ45 8P9C 180度插板带壳密封H=15.9mm	MJ88E-BX11-JPLX

原 MJ88E-BX11-JPL2
改为 MJ88E-BX11-JPLX

REV.	ECN NO	DESCRIPTION	REVISED	DATE
A01		New Release	XSY	2014.11.05
A02		新增双色灯规格	SIMON	2016.12.07



Recommend PCB Layout
Jack Top View
Tolerance: ±0.05mm
Recommend PCB Thickness: 1.6mm

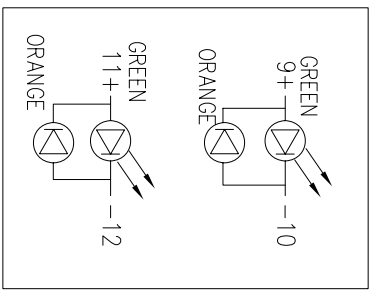
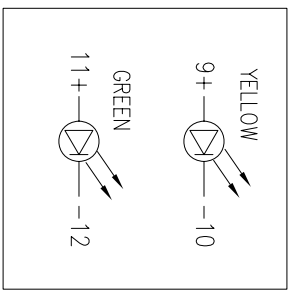


Part No.: MJ88E-BX11-JPLX

X	Terminal Plating
0	G/F Plating
1	Au 3u" Plating
2	Au 6u" Plating
3	Au 15u" Plating
4	Au 30u" Plating

Table 1

X	LED-L	LED-R
1	GREEN	YELLOW
2	YELLOW	GREEN
9	GREEN/ORANGE	GREEN/ORANGE



f	LED1	1	Table 1	Remark
e	LED2	1	Table 1	
d	SHELL	1	NI PATING	
c	TERMINAL	8	AU PATING	
b	COVER	1	BLACK	
a	HOUSING	1	BLACK	
NO.	PART NAME	QTY	MATERIAL	

UNLESS OTHERWISE SPECIFIED TOLERANCES

SCALE: 1/1 UNIT: mm
SIZE: A3 PAGE: 1 OF 1 REV: A01
DWG. NO.: W-061-089

DECIMALS: X : ±0.5
X.X : ±0.3
X.XX : ±0.2

ANGLES: X : ±2°
X.X : ±1°
X.XX : ±1°

东莞市合陵电子有限公司
DongGuan Heling Electronic Co.,LTD

APPROVED BY: XSY
CHECKED BY: XSY
PREPARED BY: XSY
CUSTOMER COPY